

FT2 Hall Effect Detection



This multi-range radial flow turbine meter uses a low inertia turbine supported on robust sapphire bearings in a chemically resistant housing. Nine flow ranges (0.05 to 160 L/min), a choice of “plug in” fittings and individual traceable calibration make this meter one of the most flexible available.

It uses Hall effect sensing so that opaque fluids may still be metered. For OEM applications the fittings can be tailored to suit the installation and speed production. Custom leads or connectors are also available for quantity orders.



IDEAL FOR

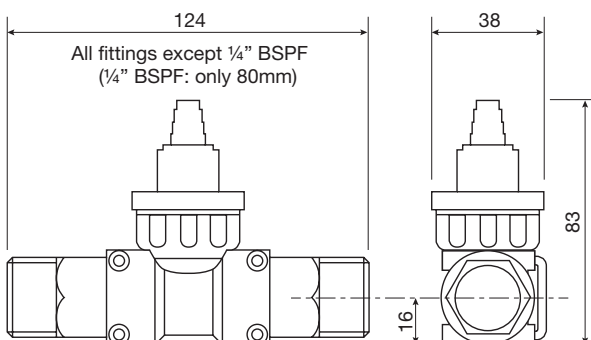
- Opaque fluids
- Laboratory tests
- Cooling equipment
- Semiconductor plant
- Water treatment
- Low viscosity fluids



FEATURES

- Economical
- PPS body
- $\pm 0.75\%$ reading *
- 1-2% FSD
- Sapphire bearings
- Hall effect sensing
- 9 Flow ranges
- Pulse output
- 15 Bar rating
- IP65
- Viton® seal as standard
- Choice of fittings
- 0.1% Repeatability
- 5 to 24Vdc
- -15°C Min to 125°C

* When used with our Metra-Smart instrument



Fitting	Weight in kg			
	PVC	PVDF	Brass	316 St St
8mm hose	0.082			
13mm hose	0.156			
1/4" BSP female			0.195	0.187
1/2" BSP male		0.124	0.279	0.319
3/4" BSP male	0.107	0.108	0.344	0.250
1" BSP male	0.120	0.124	0.377	0.404

Ordering codes

Detector Type
22 = Hall effect
Electrical connections
0 = Rubber grommet
P = 4 pin socket
N = IP67 gland
Model
004
016
045
065
010
030
060
100
160
Seal Material
V = Viton®
N = Nitrile
E = EPDM
K = Kalrez
Fitting Size
25 = 1/4" BSP
50 = 1/2" BSP
75 = 3/4" BSP
10 = 1" BSP
8H = 8mm hose
0H = 13mm hose
Fitting Material
B = Brass
S = 316 St St
C = PVC (60°C max)
P = PVDF
Special Code
S = OEM customer

e.g. **220-100-V-10-B** is a flowmeter with a flow range of 6.0 to 100 L/min, Viton® seal and 1" BSP brass fittings with a standard 6 point traceable water calibration.

The combination of materials and technology ensures a long life product with reliable operation throughout. Because the flowmeter is so versatile with respect to flow range and fittings every combination of range and fitting is not available. The chart below shows the maximum standard flow rate/fitting we would recommend to attain our performance figures. Alternatives are possible but there would be degradation in the meters performance.



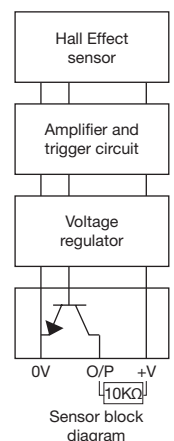
TECHNICAL SPECIFICATIONS

Model	Flow range L/Min	Linearity % FSD	Typical Freq. Hz.	Approx. 'K' Factor
004	0.05 - 0.5	2.0	133	16000
016	0.12 - 1.6	1.5	207	7700
045	0.13 - 4.5	1.5	318	4250
065	0.25 - 6.5	1.0	260	2400
010	0.60 - 10	1.0	218	1250
030	2.50 - 30	1.5	275	550
060	5.00 - 60	1.5	275	275
100	6.00 - 100	2.0	275	165
160	10.0 - 160	1.5	320	120

Fitting	Recommended Max flow L/Min	PVC	PVDF	Brass	316 St St
8mm hose	4.5	*			
13mm hose	10	*			
1/4" BSP female	4.5			*	*
1/2" BSP male	30		*	*	*
3/4" BSP male	100	*	*	*	*
1" BSP male	160	*		*	*

Standard Materials of Construction

- Body and cap - PPS
- 'O' Ring seal - Viton®
- Bearings - Sapphire
- End fittings - PVDF, PVC, St St or Brass
- Magnet - Over-moulded



TITAN ENTERPRISES LTD.

Coldharbour Business Park, Sherborne, Dorset DT9 4JW

Tel: (44) 01935 812790

Email: sales@flowmeters.co.uk

www.flowmeters.co.uk

For reference only; for latest information contact your local distributor.