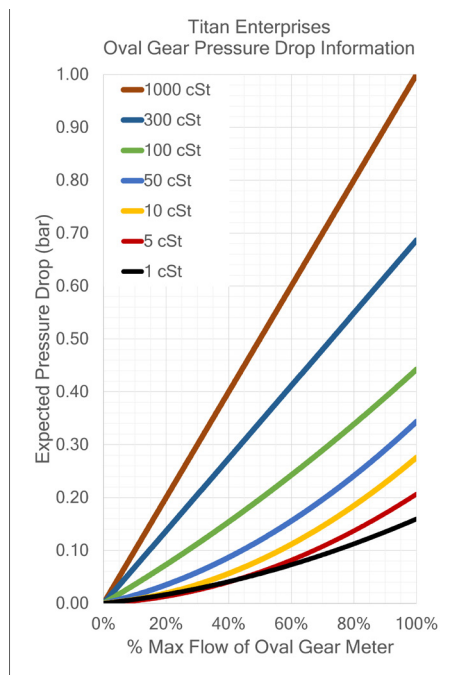


# OG2 4L/Min Oval Gear Meter



## IDEAL FOR

- Engine test
- Oil flow
- High viscosity liquids
- OEM equipment
- Hazardous areas
- Batching



The compact rugged OG2 oval gear flowmeter is designed to give high performance with a low cost of ownership. It has a standard flow range from 0.03 to 4 L/min on 30 cSt oil and 0.15 to 4 L/min on water-like liquids. It can have totally non-metallic wetted components, PEEK, PTFE encapsulated magnets and elastomer seals, which makes this the ideal choice for the metering of aggressive chemicals. The standard inlet and outlet are ¼" female threads. For OEMs, alternatives are available, including manifold mountings. The standard model is 316 St St with Viton™ 'O' ring seals.

At the heart of the meter are a pair of toothed oval gears one of which contains chemically resistant magnets. Rotation is detected through the chamber wall by a Hall effect detector or a reed switch giving approximately 1100 pulses per litre passed. The output is an NPN pulse or a voltage free contact closure either of which is readily interfaced with most electronic display or recording devices. This combination of materials and technology ensures a long life product with reliable, accurate operation throughout.



## FEATURES

- Excellent chemical resistance
- Rugged construction
- Individual calibration
- High viscosity options
- Low pressure drop
- No flow conditioning required
- Compact meter assembly
- Hall, reed switch or Namur sensor
- Accuracy 1.0% FSD water  
0.75% FSD oil
- 0.1% repeatability
- IP65 protection
- Models to 700 bar (see High Pressure Data Sheet)
- Non-metallic option



## Ordering codes

### Model

**OG2**

#### Body Material

S = 316 St St 50 bar std

P = PEEK 10 bar max (at 80°C max)

#### Temp Rating

S = 80°C / 158°F

T = 100°C / 212°F

U = 150°C / 300°F (± 1.25%)

#### Pressure Rating

5 = 50 bar 750 PSI (St St)

1 = 10 bar 150 PSI (PEEK)

4 = 400 bar 5880 PSI (St St)

7 = 700 bar 10150 PSI (St St)

#### Seal Material

V = Viton™

N = Nitrile

E = EPDM

P = PTFE (50 bar max)

K = Kalrez®

#### Detector Type

H = Hall effect

R = Reed switch & Resistor

N = Namur

X = Reed switch (hazardous area)

#### Process Fitting Size

Q = 1/4" (OG2 std)

#### Process Fitting Type

B = BSP F

N = NPT F

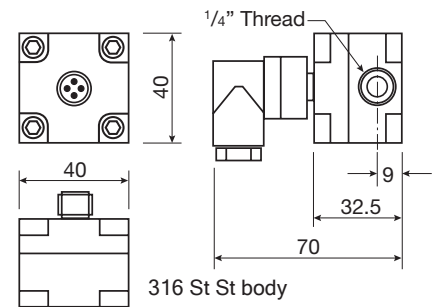
e.g. **OG2-SS5-VHQ-B** is a stainless steel meter rated at 80°C, 50 bar, Viton™ seal, Hall effect detector and a 1/4" BSP thread.



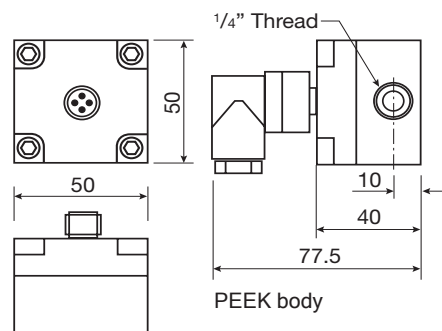
## TECHNICAL SPECIFICATIONS

Sample product codes		Stainless standard OG2-SS5-VHQ-B	PEEK standard OG2-PS1-VHQ-B
Flow range	- Water - 30 cSt Oil	0.15 - 4.0 L/min 0.03 - 4.0 L/min	0.15 - 4.0 L/min 0.03 - 4.0 L/min
Wetted materials	- Body - Gears  - Seal - Magnet - Spindles	316 St St Carbon filled PEEK Viton™ PTFE St St	PEEK Carbon filled PEEK Viton™ PTFE Hastelloy C
Accuracy	- Water - 30 cSt oil	± 1.0% FSD ± 0.75% FSD	± 1.0% FSD ± 0.75% FSD
Repeatability		± 0.1%	± 0.1%
Detector Type		Hall effect	Hall effect
Terminations		M12 instrument socket	M12 instrument socket
Approx 'K' factor (Pulses/Litre)		1100	1100
Viscosity Range^		1-1000 cSt	1-1000 cSt

^ High viscosity (above 1000 cSt) options available



316 St St body



PEEK body

### Weight (kg)

St St	50 bar	0.360
PEEK	10 bar	0.184

**TITAN ENTERPRISES LTD.**

**Coldharbour Business Park, Sherborne, Dorset DT9 4JW**

Tel: **+44 (0)1935 812790**

Email: **sales@flowmeters.co.uk**

Web: **www.flowmeters.co.uk**

For reference only; for latest information contact your local distributor.