

OG7 500L/Min Oval Gear Meter



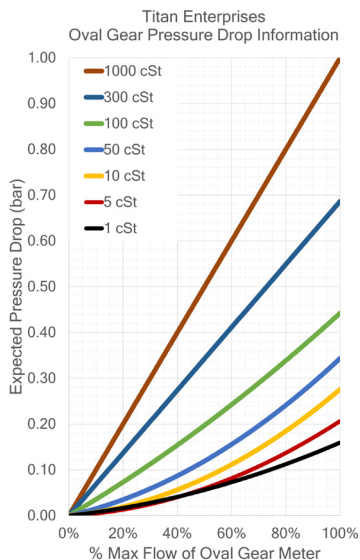
The rugged OG7 oval gear flowmeter is designed to give high performance with a low cost of ownership. It has a standard flow range from 5.0 to 500 L/min on 30 cSt oil and 20 to 500 L/min on water-like liquids. The standard inlet and outlet are 2" female threads. For OEMs, alternatives are available, including manifold mountings. The standard model is 316 St St with Viton™ 'O' ring seals.

At the heart of the meter are a pair of toothed oval gears one of which contains chemically resistant magnets. Rotation is detected through the chamber wall by a Hall effect detector or a reed switch giving approximately 15 pulses per litre passed. The output is an NPN pulse or a voltage free contact closure either of which is readily interfaced with most electronic display or recording devices. This combination of materials and technology ensures a long life product with reliable, accurate operation throughout.



IDEAL FOR

- Engine test
- Oil flow
- High viscosity liquids
- OEM equipment
- Hazardous areas
- Batching



FEATURES

- Excellent chemical resistance
- Rugged construction
- Individual calibration
- High viscosity options
- Low pressure drop
- No flow conditioning required
- Hall, reed switch or Namur sensor
- Accuracy 1.0% reading water
0.5% reading oil (30 cSt)
- 0.1% repeatability
- IP65/NEMA 4 protection

OG7 500L/Min Oval Gear Meter



Ordering Codes

Model

OG7

Body Material

S = 316 St St 50 bar std

Temp Rating

S = 80°C / 158°F

T = 100°C / 212°F

U = 150°C / 300°F

Pressure Rating

5 = 50 bar 750 PSI (St St)

Seal Material

V = Viton™

N = Nitrile

E = EPDM

K = Kalrez®

Detector Type

H = Hall effect

R = Reed switch & Resistor

N = Namur

X = Reed switch (hazardous area)

Process Fitting Size

D = 2" (OG7 std)

Process Fitting Type

B = BSP F

N = NPT F

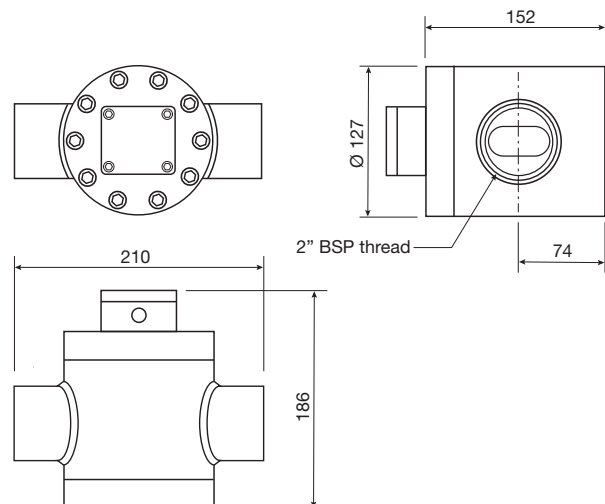
e.g. **OG7-SS5-VHD-B** is a stainless steel meter rated at 80°C, 50 bar, Viton™ seal, Hall effect detector and a 2" BSP thread.



TECHNICAL SPECIFICATIONS

Sample product codes		Stainless standard OG7-SS5-VHD-B
Flow range	- Water - 30 cSt Oil	20 - 500 L/min 5.0 - 500 L/min
Wetted materials	- Body - Gears - Seal - Magnet - Spindles	316 St St Carbon filled PEEK Viton™ PTFE St St
Accuracy	- Water - 30 cSt oil	±1.0% Reading ± 0.5% Reading
Repeatability		± 0.1%
Detector Type		Hall effect
Terminations		Terminal block P65 cable gland
Approx 'K' factor (Pulses/Litre)		15
Viscosity Range^		1-1000 cSt

^ High viscosity (above 1000 cSt) option available



Weight (kg)

St St	50 bar	12.00
-------	--------	-------

TITAN ENTERPRISES LTD.

Coldharbour Business Park, Sherborne, Dorset DT9 4JW

Tel: **(44) 01935 812790**

Email: **sales@flowmeters.co.uk**

Web: **www.flowmeters.co.uk**

For reference only; for latest information contact your local distributor.