

PULSITE LINK

Pulse and Analog Converter



Titan's programmable **Pulsite Link** allows the user to convert standard pulse output flow meters to give linearised analog and NPN/PNP outputs.

The device will accept both pulse and reed switch devices and provides 5Vdc to the installed flow meter.

Titan's Interface Software allows the user to configure and test the system via USB and a computer. Calibration data can be entered in order to linearise the flowmeter signal for greater accuracy.

The Pulsite Link offers NPN, PNP pulses and analog output of 0-5Vdc / 0-10Vdc or 4-20mA and the ability to configure flow alarm outputs.



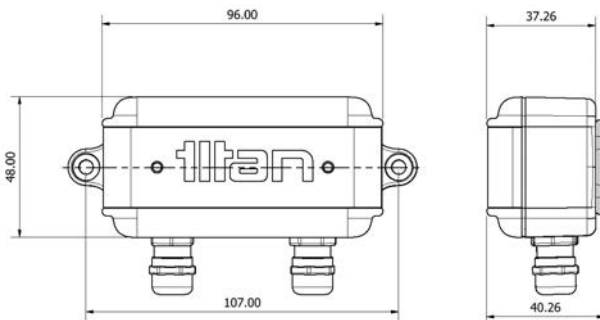
IDEAL FOR

- Integration for PLC
- Increased accuracy on mechanical device
- Data monitoring
- Test rigs
- Control systems



FEATURES

- Outputs: 4-20mA (active), 0-5Vdc or 0-10Vdc, NPN and PNP logic direct outputs
- Inputs: Pulse or Reed switch inputs
- Inbuilt sensor power supply (+5Vdc)
- Analog response rate from 100ms
- Inbuilt Linearisation
- User programmable settings
- Software indication for system set up
- Configurable flow alarm outputs
- LED indicators
- 0-65°C
- IP64 Enclosure
- Wall or panel mounting



Ordering code

Pulsite Link (Pulse and Analog Converter)

370-008

Pulse and Analog Converter



TECHNICAL SPECIFICATIONS

Power	15-24Vdc	Regulated
Input	Pulse Reed Switch	max. 5kHz max. 400Hz
Output	Pulse NPN/PNP 0-5Vdc / 0-10Vdc 4-20mA	2.5kHz pull up/down resistor required 24V@20mA max. Scalable pulse per litre 16bit; Adjustable flow range 16bit; Adjustable flow range
Response Time	Analog Pulse	100ms, 1s or 10s option in software min. 0.1ms pulse width
Pulse Output	3 types pulse width	Frequency 50:50; Direct 50:50; Direct fixed width
Linearisation	Pulse and Analog	6 point
Sensor Supply	5Vdc	50mA max. 20°C. / 25mA max. 65°C

Flowmeter Input with 5Vdc sensor power (Pull up resistor required)

USB Connection for Software configuration



NPN and PNP Pulse Output (Pull up/down resistor required)

Analog Output Terminals

Main PSU to Pulsite Link

Titan's Interface Software supplied with device allows the user to configure multiple outputs.

