

PULSITE LINK Pulse and Analog Converter



FEATURES

- Outputs: 4-20mA (active), 0-5Vdc or 0-10Vdc, NPN and PNP logic direct outputs
- Output test signals via software
- Inputs: Pulse or Reed switch inputs
- Inbuilt sensor power supply (+5Vdc)
- Analog response rate from 100ms
- Inbuilt Linearisation
- User programmable settings; easy access USB
- Up to 10 Calibration point input values
- ASCII data streaming of flow measurement
- Datalogging via PC
- Software indication for system set up
- Configurable flow alarm outputs
- LED indicators with LCD display option
- Display indicates rate / total / both; local & remote reset
- 0-65°C
- IP64 Enclosure; Wall or panel mounting

Ordering Codes

Pulsite® Link (Pulse and Analog Converter)

370-008 (without display)

370-009 (with display)

Titan's programmable **Pulsite® Link**, now available with an LCD display option, allows the user to convert standard pulse output flow meters to give linearised analog and NPN/PNP outputs.

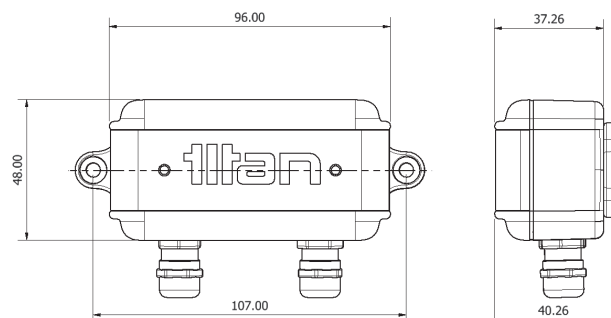
The device will accept both pulse and reed switch devices and provides 5Vdc to the installed flow meter. The display model enables local indication of flow rate, total or both, from the installed pulse flowmeter. A local and remote reset for the totaliser is also featured with the display option.

Titan's Interface Software allows the user to configure and test the system via USB and a computer. Calibration data can be entered in order to linearise the flowmeter signal for greater accuracy. There is easy access to the USB connection to allow adjustment of settings without the need to uninstall the unit. The USB connection via the base port offers datalogging of parameters via PC and Titan's Interface Software. ASCII flow information can be directly received from the USB connection to ease installation for computer information systems if required.



IDEAL FOR

- Integration for PLC
- Increased accuracy on mechanical device
- Data monitoring / Datalogging
- Test rigs
- Control systems
- Flow alarms

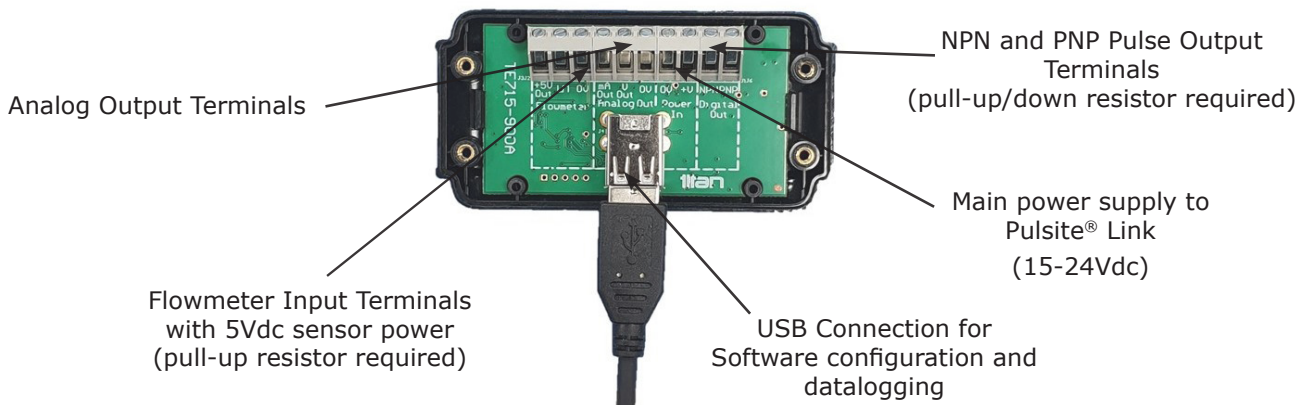


Pulse and Analog Converter



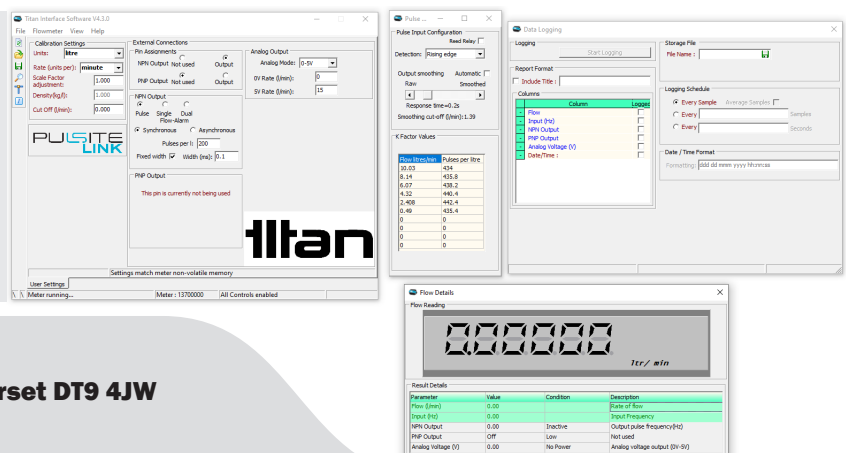
TECHNICAL SPECIFICATIONS

Power	15-24Vdc	Regulated
Input	Pulse Reed Switch	max. 5kHz max. 400Hz
Output	Pulse NPN/PNP 0-5Vdc / 0-10Vdc 4-20mA ASCII flow data stream	2.5kHz pull-up/down resistor required; 24V@20mA max. Scalable pulse per litre 16bit; Adjustable flow range 16bit; Adjustable flow range 10Hz
Response Time	Analog Pulse	Automatic, 100ms, 1s or 10s option in software min. 0.1ms pulse width
Pulse Output	3 types pulse width	Frequency 50:50; Direct 50:50; Direct fixed width
Linearisation	Pulse and Analog	10 point
Sensor Supply	5Vdc	50mA max. 20°C. / 25mA max. 65°C
LCD Display Option	Reflective (not backlit)	With flow indicators gal, kg, gm, ltr, ml; per sec, min, hr 6x8mm high main characters; 2.5mm enunciators
Datalogging	via USB	



Wiring example for non-display instrument

Titan's Interface Software supplied with the device allows the user to configure multiple outputs.



TITAN ENTERPRISES LTD.

Coldharbour Business Park, Sherborne, Dorset DT9 4JW

Tel: **+44 (0)1935 812790**

Email: **sales@flowmeters.co.uk**

Web: **www.flowmeters.co.uk**

For reference only; for latest information contact your local distributor.