

PULSITE SOLO Digital Rate and Total Indicator



The battery powered **Pulsite Solo** is a programmable indicator unit that allows the user to digitally display either flow rate or total flow.

The Pulsite Solo is designed to be as versatile as possible, requiring no external power and permitting customisation to suit the application.

The instrument can be panel or surface mounted and will accept pulse, coil and reed switch flow devices. The battery has a typical 5 year life but the unit also has dc power capability.

Programming of the Pulsite Solo is simple, the front panel keys used with easy to follow screen prompts.



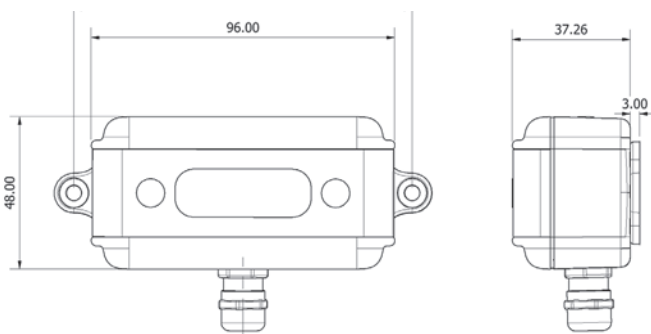
IDEAL FOR

- Rate and total display
- Pulse output meters
- Low cost display
- Local or remote mounting



FEATURES

- Clear 6 digit LCD display with enunciators
- Simple setting procedure
- Password protected
- Programmable scaling for rate and total
- Programmable time base for rate
- 96 x 48mm 1/8 DIN case
- Environmentally protected tough polymer housing
- Panel or surface mount
- Replaceable battery
- Front panel programmable
- 5 to 24Vdc power with the battery as backup
- Pulse, coil and switch inputs
- Logic/transistor inputs (external power recommended)



Ordering code

Pulsite Solo (Digital Rate and Total Indicator)

390-085



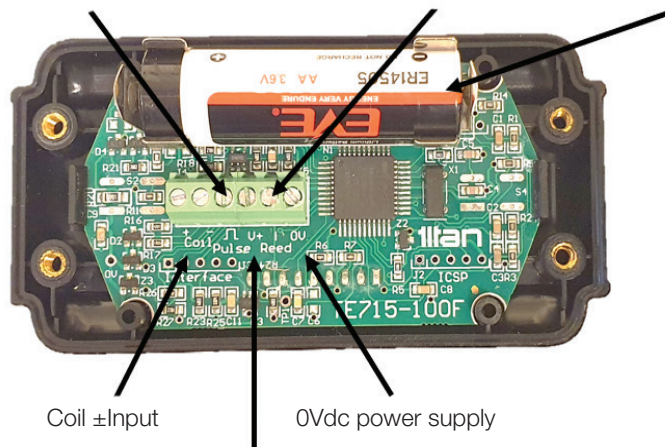
TECHNICAL SPECIFICATIONS

Power	Internal	Battery 5 years typical life
	External	5 – 24 Vdc
Input	Pulse	max. 2kHz
	Coil	max. 2kHz, 3mV – 24V sine wave,
	Reed Switch	max. 100Hz
Enclosure	Display	IP64 Enclosure
	Enclosure	Tough polymer housing
Display	Trans-reflective LCD display	9.99999 to 999999 6 x 8mm high numerals with 2.5mm enunciators
Enunciators	Total	No units displayed, Gall, cc, kg, gms or ltr
	Rate	Total time units: Sec, min & Hr

Flowmeter pulse input to display
(pull up/down resistor may be required)

Reed switch input

Battery



Coil ± Input

0Vdc power supply

5–24 Vdc power supply